



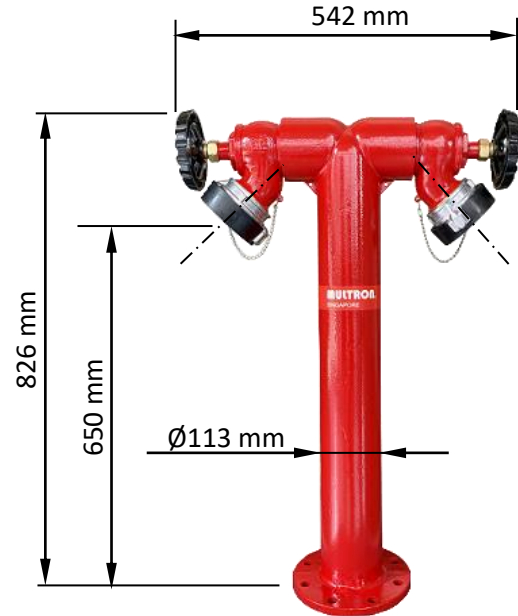
2-WAY PILLAR HYDRANT c/w HYDRANT VALVES Model PH-SQS 100VS (Designed to Vietnam Standards)

Pillar Hydrants are generally used, and connected to the water mains around the perimeters of buildings or roadsides.

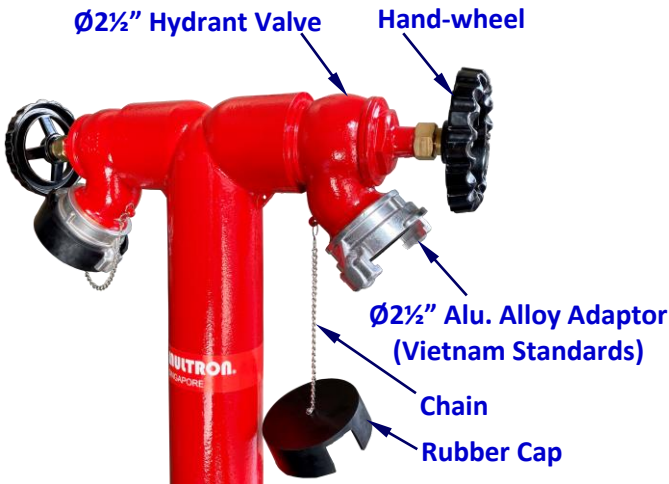
During emergencies, the Fire Brigade or Fire Engines could draw water from the Pillar Hydrants to fight against any surrounding fire at the roadsides or nearby buildings.

Connecting Valves Outlets are specially designed to match typical Vietnam Standards.

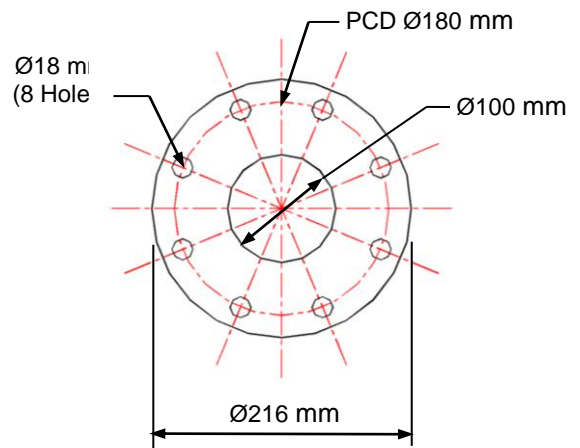
Our range of products are manufactured in accordance to our ISO 9001 : 2015 Quality Management System.



Front View



Ø2½” Hydrant Valve Details



Ø 4” Inlet Flange Details (Table E, BS 10)

Model	PH-SQS 100VS
Body Material	Cast Iron to BS 1452 (Painted Red)
Hydrant Valve	Copper Alloy Body with Alu. Alloy Connection (Vietnam Standards)
Inlet Size	Ø4” (DN 100mm) to Table E, BS 10 Flange
Outlet Connection	2 x Ø2½” Hydrant Valve with Alu. Alloy Adaptor (Vietnam Standards)
Test Pressure	18 Bar
Working Pressure	<16 Bar Caution :- While the Hydrant could withstand higher Working Pressure within the Test Pressure Rating, the recommended Nominal Working Pressure should be 5.5 Bar based on International Standards, as the impact from too high a Pressure from the Hydrant Valve Outlet may cause damage or injury to personnel.
Weight	Approx. 25.5 kg

Multron Systems Pte Ltd

217 Kallang Bahru, Multron Building
Singapore 339 347

☎ : (65) 6395 6868 ✉ : info@multron.com
📞 : (65) 6395 6869 🌐 : www.multron.com



DATA SHEET

Copyright © The information contained in this Data Sheets remains the property of Multron Systems Pte Ltd, and is not to be altered or reproduced without permission. Multron reserves the right to change any specification without prior notice.