



GAS DETECTORS

The Conventional Gas Detectors are suitable for the early detection of Gases with high immunity against false alarms, using semiconductor gas sensor.

Features :-

- Stable Gas Sensing Chamber
- High immunity against false alarms
- Various Voltage Options Available
- With N/C and N/O Alarm Relay Output
- Loud 85db built-in Sounder
- Audible warning for internal fault
- Easy installation with no programming required
- Designed in compliance to EN 50194 requirements



Specifications / Model	Carbon Monoxide (CO) Gas Detector		Propane (LPG) Gas Detector	
	DET-G200-09		DET-G201-03	DET-G201-09
Operating Voltage	100 - 240 VAC <i>(AC Adaptor Provided)</i>		12 – 33 VDC	100 - 240 VAC <i>(AC Adaptor Provided)</i>
Detector Normal Indicator	Green LED		Green LED (Blinking)	Green LED
Start-up Current	20mA		≤200mA	
Start-up Time	≤10 min			
Quiescent Current	13mA		3 W	
Sampling Time	3 secs			
Alarm Threshold	50µL/L (50ppm) for 60min to 90min 100µL/L(100ppm) for 10min to 40min 300µL/L (300ppm) for < 3min		0.10 ±0.04 LEL (Lower Explosive Limit) C3H8 (Propane)	
Alarm Condition Indicator	Red LED			
Sounder Output	85db @ 3m			
Alarm Current	30mA		50mA @ 24VDC	
Alarm Relay	SPST, N/O or N/C (1.0A @ 30VDC)			
Auto Reset Time	≤ 30 secs			
Operating Temperature	-10°C to +50°C			
Operating Humidity	0 to 98%RH, Non-condensing			
Ingress Protection	IP-42			
Packing Carton Box Size	210 mm x 110 mm x 72 mm			
Weight	0.32 kg <i>(with Carton Box)</i>	0.37 kg <i>(with Carton Box)</i>	0.32 kg <i>(with Carton Box)</i>	0.37 kg <i>(with Carton Box)</i>

Multron Systems Pte Ltd

217 Kallang Bahru, Multron Building, Singapore 339 347

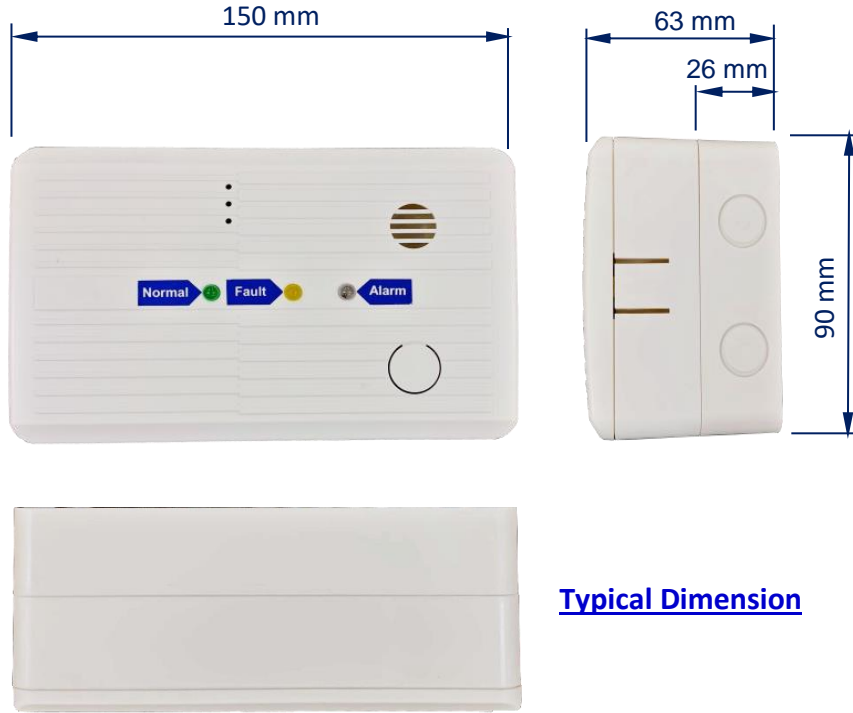
6395 6868

info@multron.com

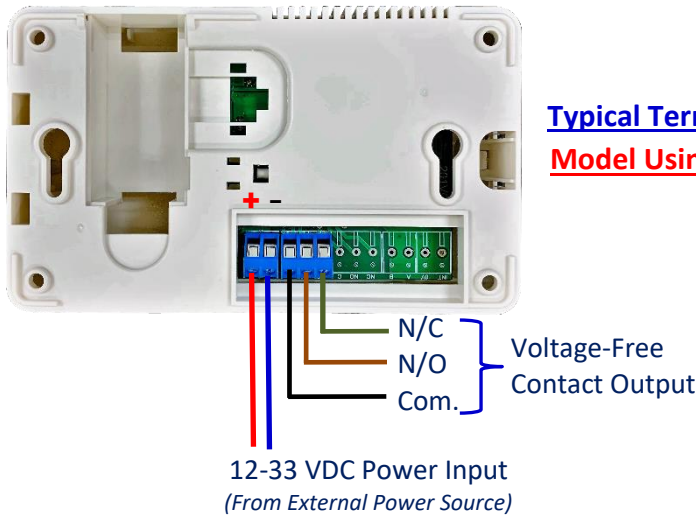
6395 6869

www.multron.com



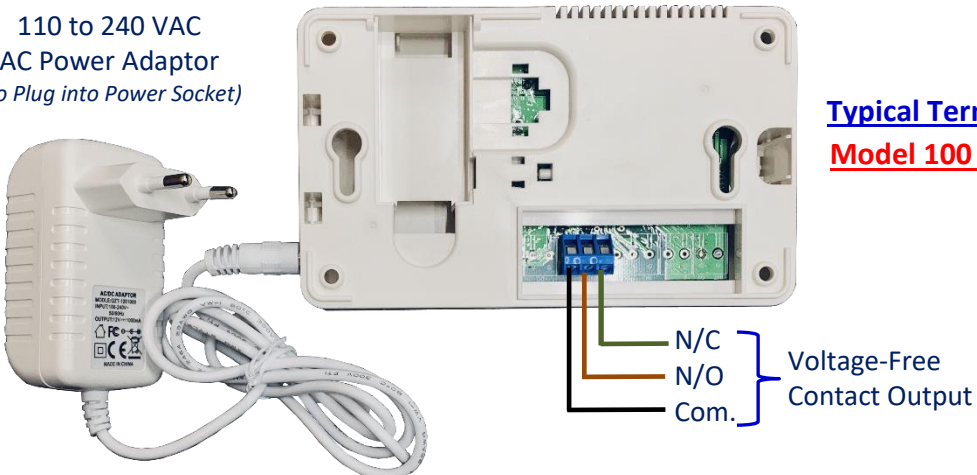


Typical Dimension



Typical Termination Diagram
Model Using 12 – 33 VDC

110 to 240 VAC
AC Power Adaptor
(To Plug into Power Socket)



Typical Termination Diagram
Model 100 – 240VAC