

The DET-C700 Series Detector Range

The Heat and Smoke Detectors are designed to provide open area protection and to be used with compatible Fire Alarm Control Panels. Two LEDs on each detector offers local 360° visible alarm indication, which will flash every 3 seconds indicating that power is applied and the device is working properly.

The LEDs will latch on during alarm, and can only be reset by a momentary power interruption.

Features :-

- Wide operating voltage for both Fire & Security Systems
- Dual LEDs for wide visibility
- Sleek low-profile design
- With N/O Alarm Relay Output SPST N/O 1.0A @ 30VDC
- Designed in compliance to EN54 Standards

Model	Voltage (DC)	Standby Current	Alarm Current	Cycle Time	Alarm Relay Output (N/O)	Base Model
DET-C731R	10.8 ~26.4V	75uA	35mA	3 ~ 5 s	✓	DB-7L
Alarm Response Threshold			0.08 ~0.15 db/m			
Operating Temperature			-10 to 55°C			
Operating Humidity			0 ~95% RH, Non-condensing			
Dimension			Ø102mm x 45mm			



Smoke Detector

Model	Voltage (DC)	Standby Current	Alarm Current	Cycle Time	Alarm Relay Output (N/O)	Base Model
DET-C732R	10.8 ~26.4V	40uA	30mA	3 s	✓	DB-7L
Alarm Response Threshold			59°C Static, and Rate-of-Rise			
Operating Temperature			-10 to 55°C			
Operating Humidity			0 ~95% RH, Non-condensing			
Dimension			Ø102mm x 45mm			



Heat Detector



Detector Base

Model	Alarm Relay Output Terminal
DB-7R1	✓

TYPICAL WIRING DIAGRAM

Figure 1. shows the typical wiring diagram of 2-wire multiple-station smoke detector system.

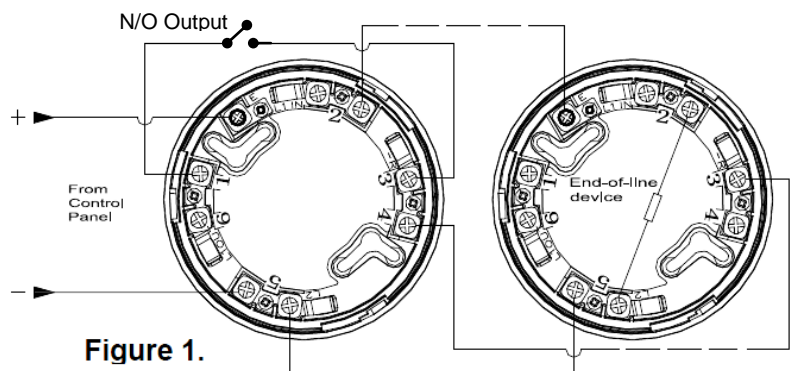


Figure 1.

Multron Systems Pte Ltd

217 Kallang Bahru, Multron Building, Singapore 339 347

☎ 6395 6868

✉ info@multron.com

☎ 6395 6869

🌐 www.multron.com

