

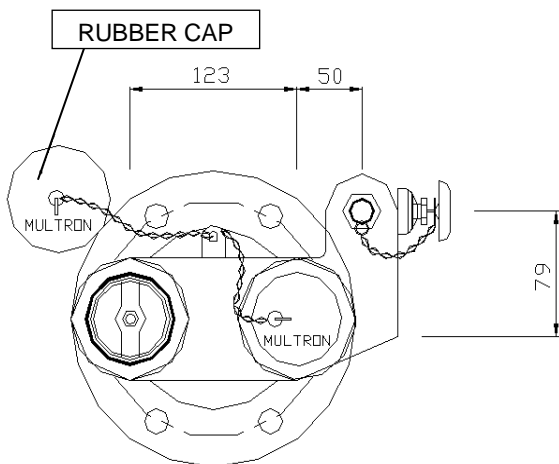


MULTRON 2-Way & 4-Way Breeching Inlets are provided at the Dry or Wet Riser Mains of 4" (100mm) or 6" (150mm) fitted at ground level to provide easy access for the connection to water supply.

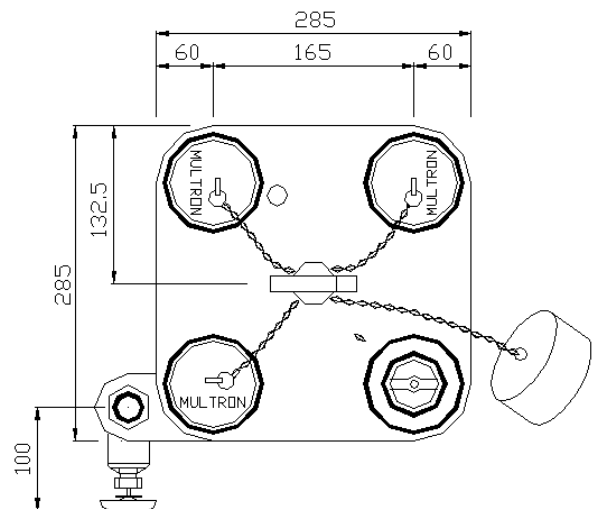
In conjunction with the Fire Protection System, the Fire Brigade is able to charge-up the System via the Breeching Inlets during emergencies.

The Products shall generally comply with the following Standards with modification to suit Vietnam requirement :-

- **BS 5041 : Part 3 : 1975** Specification for Inlet Breeching for Dry Riser inlets
- **BS 4504 : Sect 3.3 : 1989** Specification for Copper Alloy and composite flanges.
- **BS 336 : 1989** Specification for Fire Hose Coupling & ancillary equipment



2-Way Breeching Inlet



4-Way Breeching Inlet

Type	Model	Body Material	Inlet Connectors	Outlet Connectors	Blank Cap	Test Pressure
2 - Way Breeching	DC707-1V	Spheroidal Graphite Iron to BS 2789	Copper Alloy Check Valve with Alu. Alloy Coupling to Vietnam requirement	Flange to Table 16/21 of BS 4504	Rubber	20 Bar
4 - Way Breeching	DC708-1V	Spheroidal Graphite Iron to BS 2789	Copper Alloy Check Valve with Alu. Alloy Coupling to Vietnam requirement	Flange to Table 16/21 of BS 4504	Rubber	20 Bar

Multron Systems Pte Ltd

217 Kallang Bahru, Multron Building, Singapore 339

6395 6868
6395 6869

info@multron.com
www.multron.com

